

**MET 1-PHASE CONTROL AND ISOLATION TRANSFORMER**

P: 800VA IN: 400VAC+/- 5% OUT: 230VAC

Single-phase - Control and Isolation Transformers  
800 VA  
Isolation class T 60/B

[Link to Product](#)**Illustration**

Product may differ from Image

**Approvals****Input**

Input voltage	400 V AC $\pm 5\%$
Input current	2.15 A (400 V AC)
Inrush current	30.07 A (400 V AC)
Short-circuit current	83.99 A (400 V AC)
Frequency	50...60 Hz

**Output**

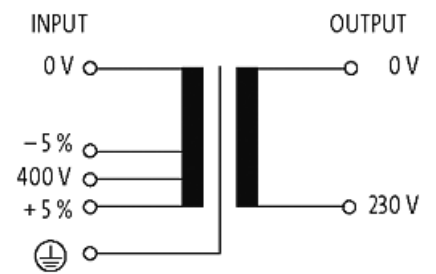
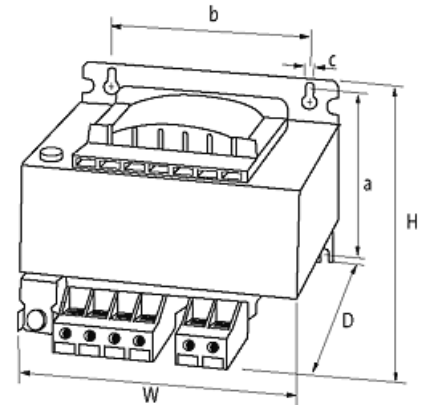
Output voltage	230 V AC
Output rating	800 VA

**General data**

Test isolation voltage	4 kV (prim./sec.)
Standards	EN 61558-1, EN 61558-2-4, EN 62041 category 0
Drill hole $\varnothing$	7x11 mm
Fixing centers a <b>x</b> b <b>x</b> c	92x135x7 mm
Mounting method	Key-hole mounting
Dimensions H <b>x</b> W <b>x</b> D	118x175x160 mm
Temperature range	-20...+60 °C (storage temperature -40...+80 °C)

**Commercial data**

country of origin	CZ
customs tariff number	85043180
EAN	4048879078948
eClass	27031302
Packaging unit	1

**Sketch**

Product may differ from Image